

Tapwell

ARM7200-150 Shower column

ARM7200 Chrome

Article Number

ARM7200 Chrome - 9423034
ARM7200 Matte Black - 9423035
ARM7200 Polished Brass - 9423036
ARM7200 Copper - 9423033
ARM7200 Bronze - 9426150
ARM7200 Black Chrome - 9423029
ARM7200 Honey Gold - 9423032
ARM7200 Brushed Black Chrome - 9423030
ARM7200 Brushed Nickel - 9423031

Shower system with pressure balanced thermostatic mixer, diverter in handle.



Tapwell

Cleaning

Wipe the surface with a soft cloth and lukewarm water and possibly with soap solution. Avoid alkaline, acid-liming or abrasive cleaners.

Brass is a material that over time gets a beautiful patina but can be polished with brass polish. Copper also gets patina but should not be polished. The other shiny surfaces retain their luster.

Decalcification

Aerators and shower handles should be regularly decalcified by placing them in a vinegar bath for a couple of hours. Should limescale stains occur, use eucalyptus oil and a soft cloth.

Lubrication

Lubricate only with silicone grease.

Maintenance

Visit our [YouTube channel](#) → where there are instructional videos for changing the ceramic cartridge, changing aerators and more.

Specifications

Connection inlet: Internal thread

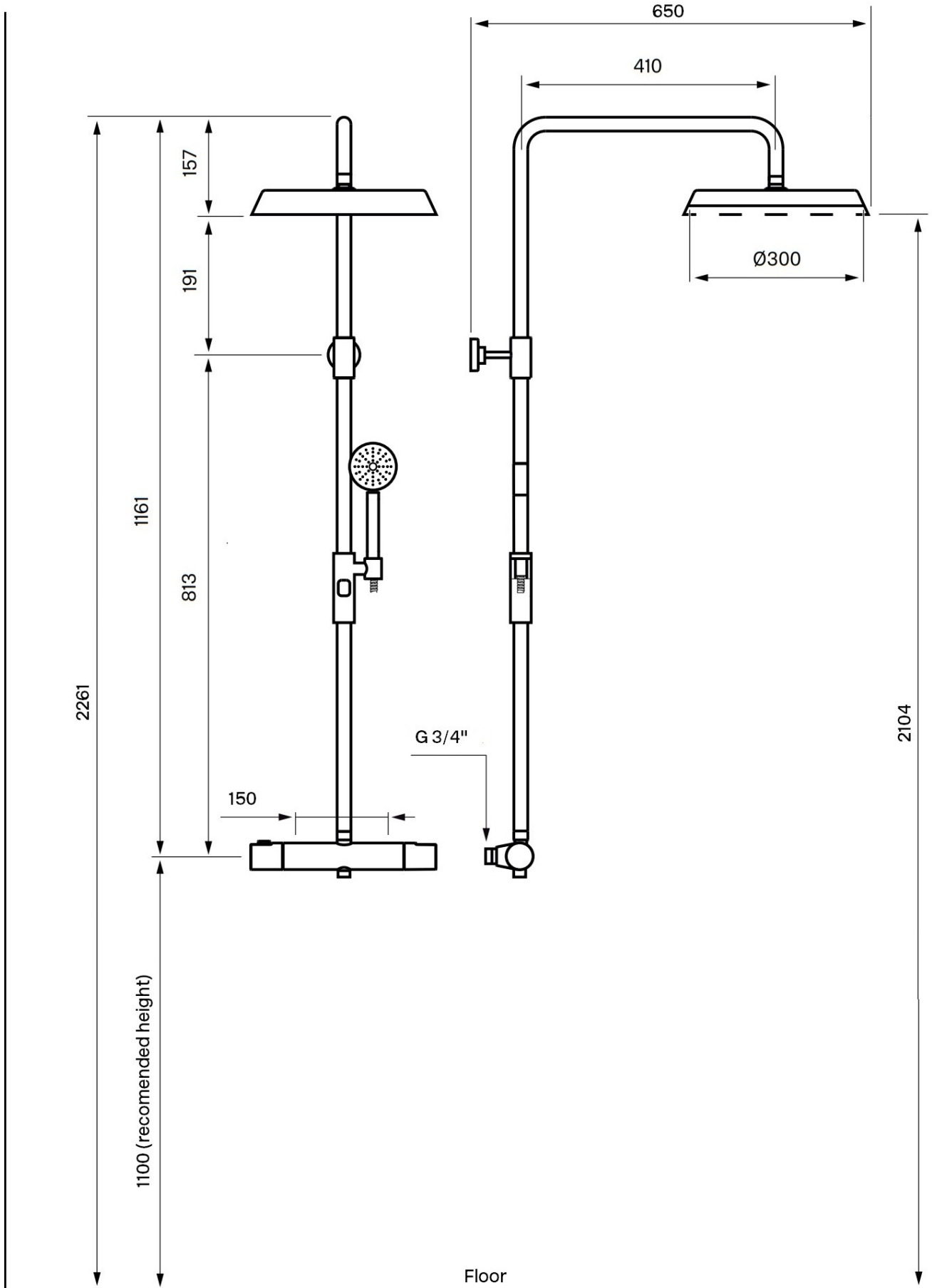
Number of grips: One grip

Dimensions/Weight

Adjustable height: No

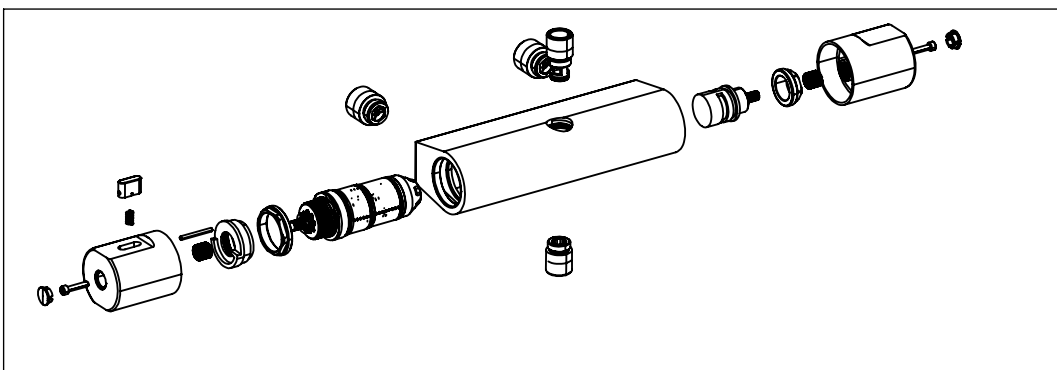
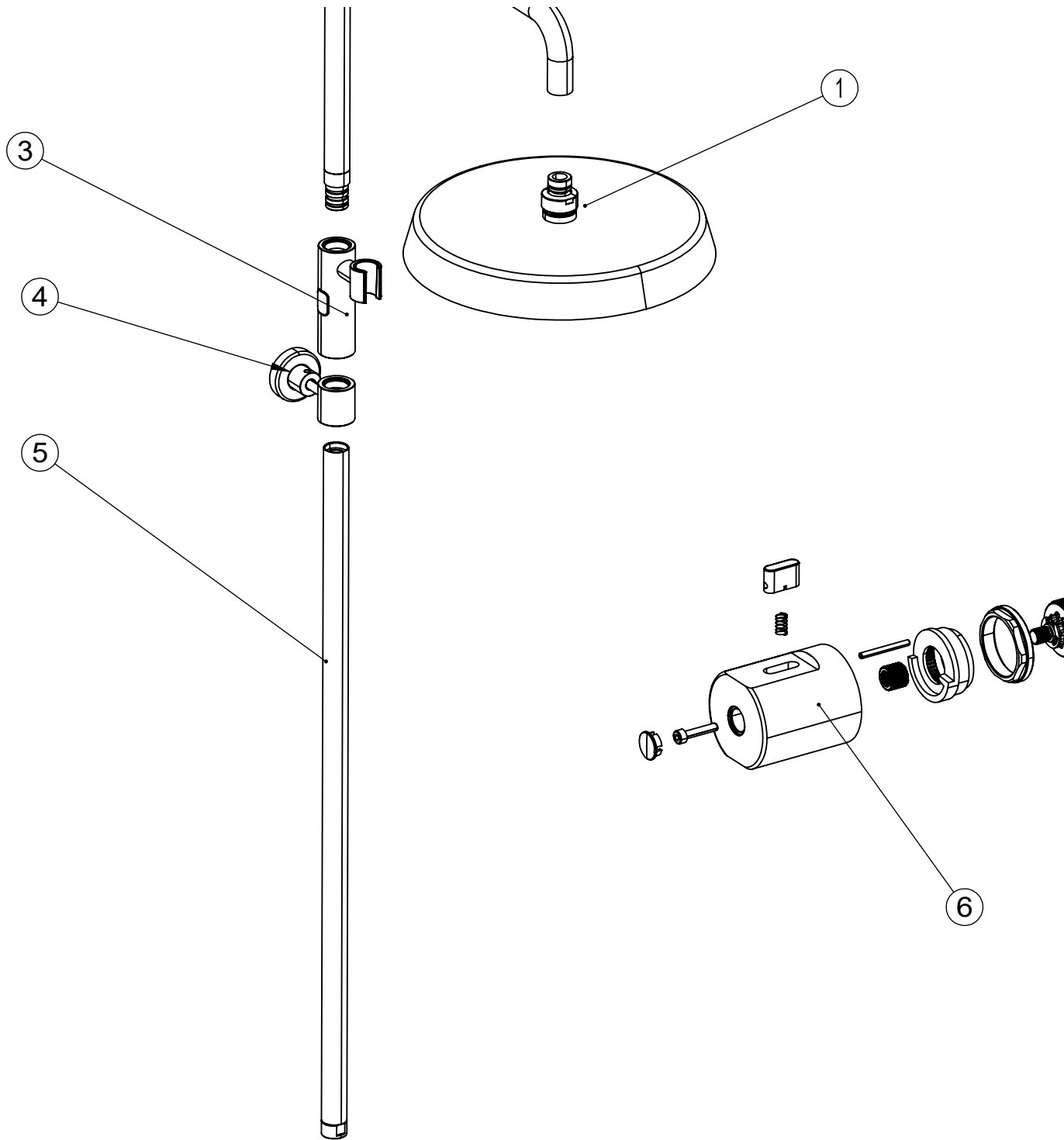
Tapwell

Drawing - PDF



Tapwell

Exploded View



A

Tapwell

Flowcart

