

Tapwell

ARM026-150 Bath mixer

ARM026 Chrome

Article Number

ARM026 Chrome - 9426644
ARM026 Matte Black - 9426645
ARM026 Brass - 9426646
ARM026 Copper - 9426647
ARM026 Bronze - 9426648
ARM026 Black Chrome - 9426649
ARM026 Honey Gold - 9426650
ARM026 brushed black Chrome - 9426651
ARM026 Brushed Nickel - 9426652

Bathtub mixer with pressure balanced thermostat and turnable spout.



Tapwell

Cleaning

Wipe the surface with a soft cloth and lukewarm water and possibly with soap solution. Avoid alkaline, acid-liming or abrasive cleaners.

Brass is a material that over time gets a beautiful patina but can be polished with brass polish. Copper also gets patina but should not be polished. The other shiny surfaces retain their luster.

Decalcification

Aerators and shower handles should be regularly decalcified by placing them in a vinegar bath for a couple of hours. Should limescale stains occur, use eucalyptus oil and a soft cloth.

Lubrication

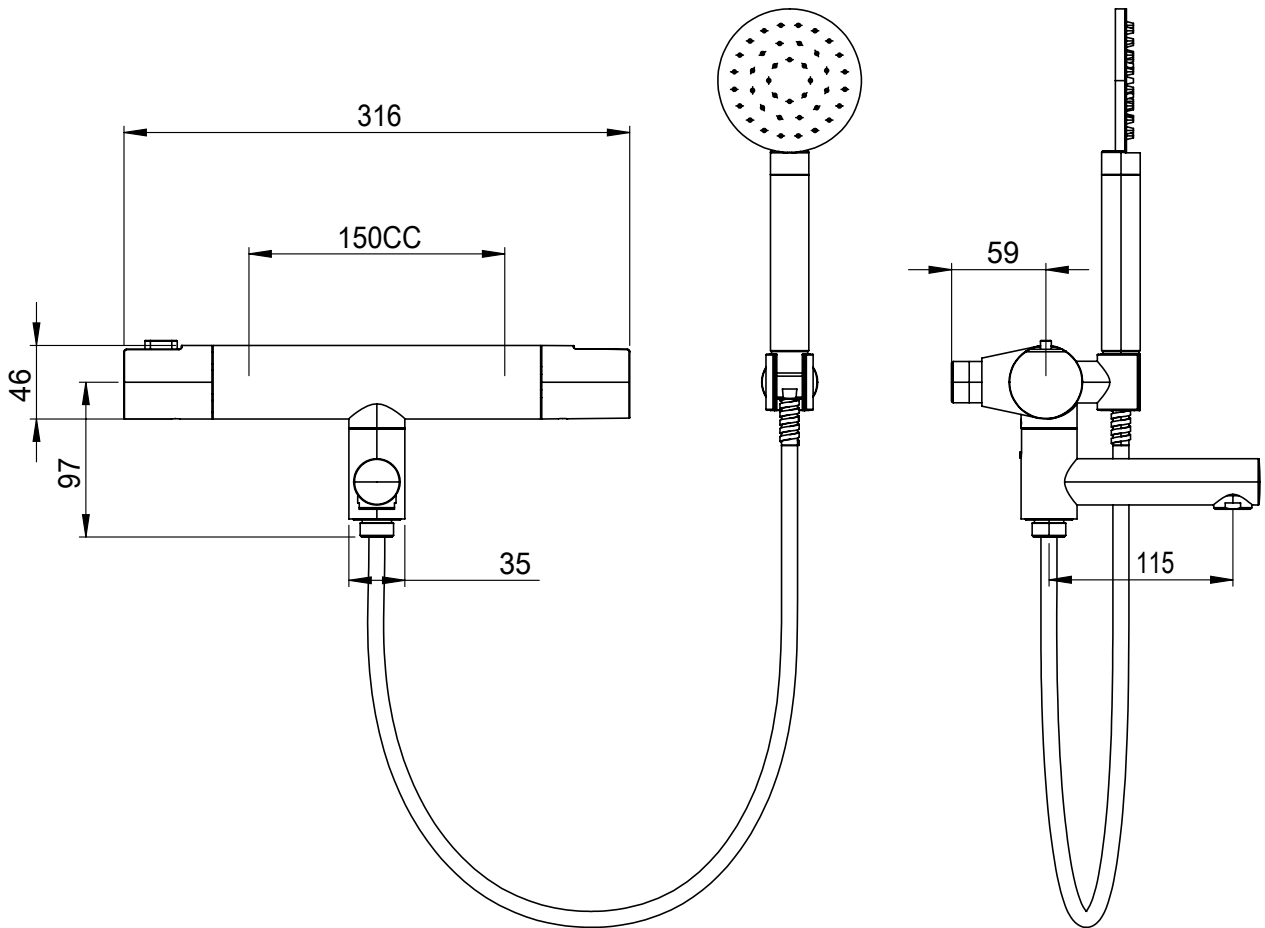
Lubricate only with silicone grease.

Maintenance

Visit our [YouTube channel](#) → where there are instructional videos for changing the ceramic cartridge, changing aerators and more.

Tapwell

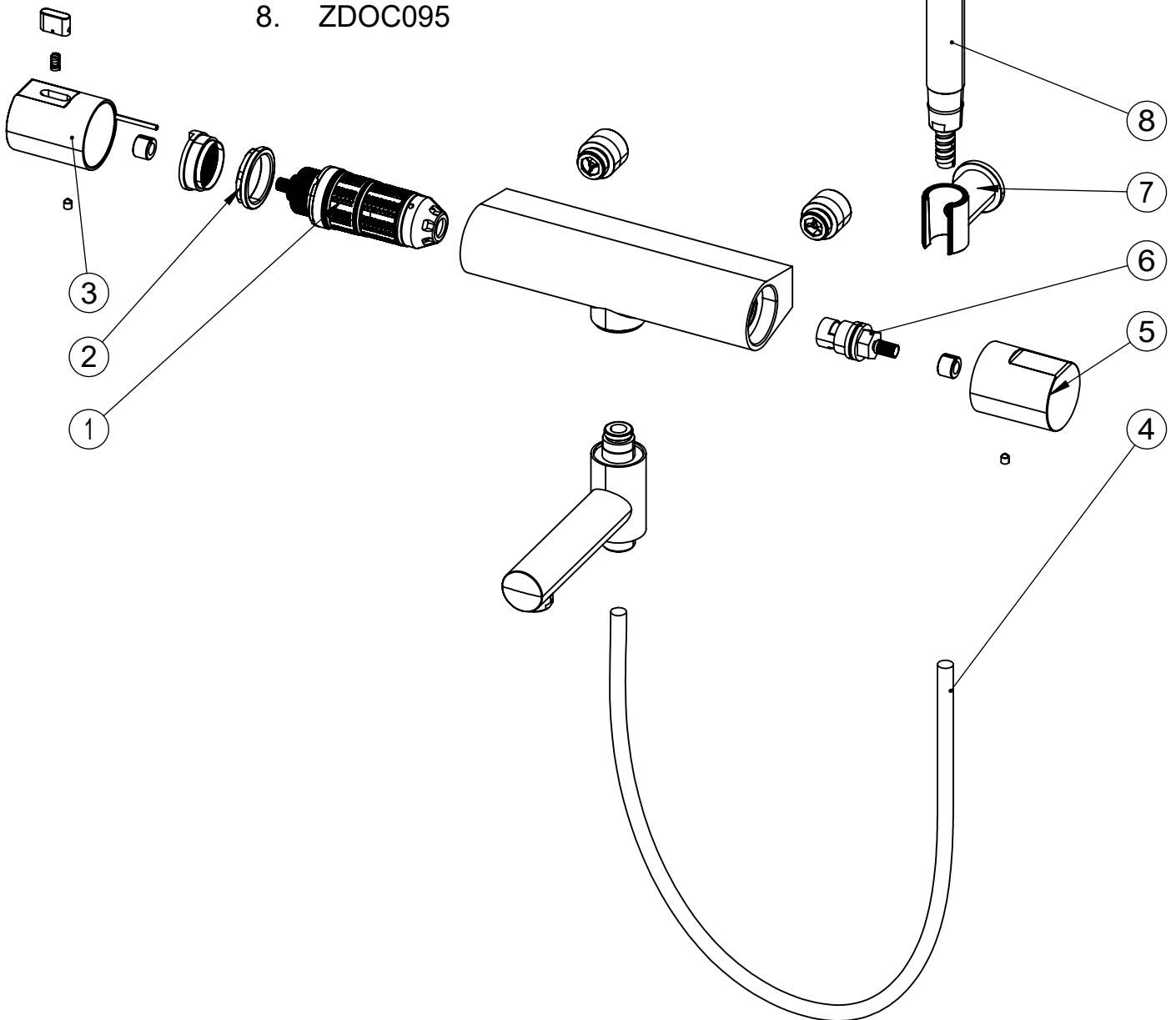
Drawing - PDF



Tapwell

Exploded View

1. Termostatinsats ZVIT550
2. Låsmutter för insats ZGHI503
3. Termostatvred
4. Slang ZFLO001
5. Flödesvred
6. Keramisk insats ZVIT528 - EVM169
7. Fäste för handdusch
8. ZDOC095

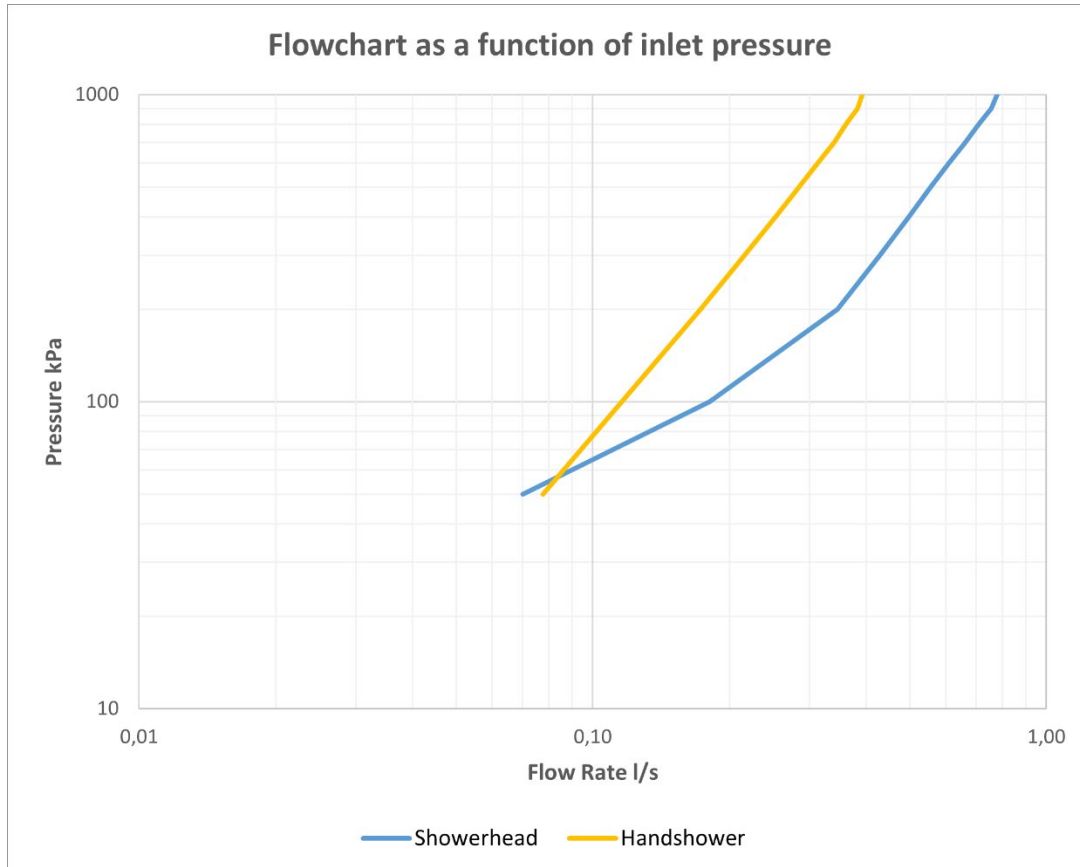


Tapwell

Flowcart

FLOWCHART

ARM026-150



DATA

Pressure (kPa)	Showerhead		Handshower	
	Flow lit/min	Flow lit/s	Flow lit/min	Flow lit/s
50	4,2	0,07	4,7	0,08
100	10,9	0,18	6,9	0,12
200	20,8	0,35	10,4	0,17
300	25,7	0,43	13,0	0,22
400	29,8	0,50	15,2	0,25
500	33,3	0,56	17,1	0,28
600	36,6	0,61	18,8	0,31
700	39,8	0,66	20,5	0,34
800	42,5	0,71	21,7	0,36
900	45,3	0,76	23,0	0,38
1000	46,7	0,78	23,6	0,39