

# Tapwell

## ARM185 Kitchen Tap

---

ARM185 Chrome

---

### Article Number

ARM185 Chrome - 9423492  
ARM185 Matte Black - 9423622  
ARM185 Polished Brass - 9423623  
ARM185 Copper - 9423621  
ARM185 Bronze - 9424281  
ARM185 Graphite - 9426073  
ARM185 Black Chrome - 9423618  
ARM185 Honey Gold - 9423620  
ARM185 Brushed Honey Gold - 9424283  
ARM185 Brushed Black Chrome - 9424282  
ARM185 Brushed Nickel - 9423619

---

Kitchen faucet with turnable spout and pullout nozzle. The spout's turning radius can be limited to between 60 and 270 degrees at 15 degree intervals.

This kitchen tap offer exceptional functionality and boasts a sleek and modern design that will enhance the aesthetic of your kitchen. Crafted with high-quality materials, it ensures durability and longevity, providing you with a reliable and stylish fixture for years to come.



# Tapwell

---

## Cleaning

Wipe the surface with a soft cloth and lukewarm water and possibly with soap solution. Avoid alkaline, acid-liming or abrasive cleaners.

Brass is a material that over time gets a beautiful patina but can be polished with brass polish. Copper also gets patina but should not be polished. The other shiny surfaces retain their luster.

## Decalcification

Aerators and shower handles should be regularly decalcified by placing them in a vinegar bath for a couple of hours. Should limescale stains occur, use eucalyptus oil and a soft cloth.

## Lubrication

Lubricate only with silicone grease.

## Maintenance

Visit our [YouTube channel](#) → where there are instructional videos for changing the ceramic cartridge, changing aerators and more.

---

## Specifications

**Connection inlet:** Flexible hose with 3/8" nut  
**Number of grips:** One grip  
**Number of outgoing connections:** 1  
**Dimension inlet:** 10 mm alt. 3/8"  
**Length protrusion outlet head:** 210 mm  
**Machine shutdown:** No  
**Lockable head:** 60°, 90°, 120°, 180°, 150°, 210°, 240°, 270°  
**Turnable head:** Yes

---

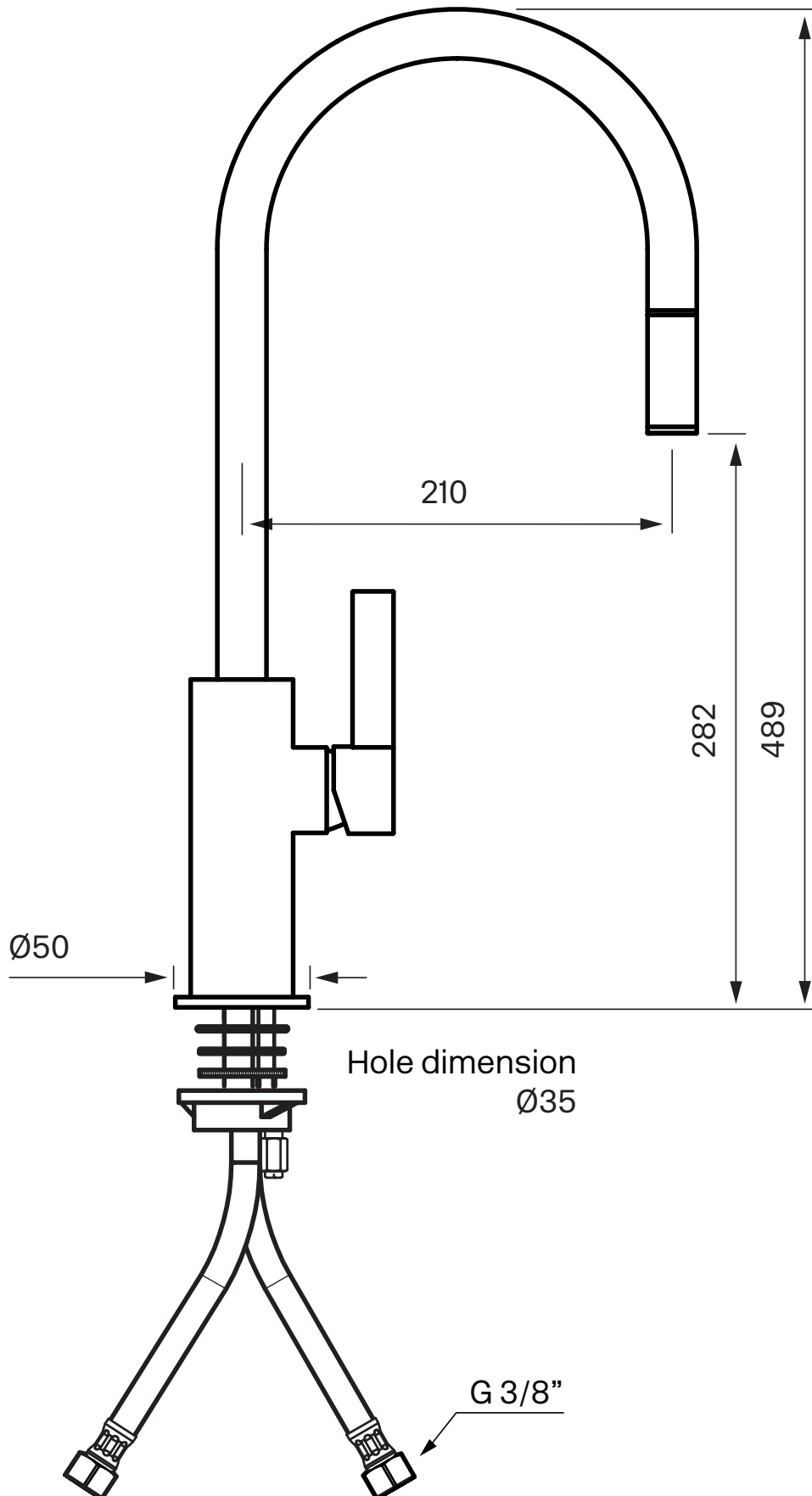
**Classification energy:** B

## Dimensions/Weight

**Package - Depth:** 635 mm  
**Package - Width:** 270 mm  
**Package - Height:** 75 mm  
**Package - Weight:** 3,90 kg  
**Package - Volume:** 0,01 m<sup>3</sup>  
**Building height underneath outlet:** 280 mm  
**Product - Width:** 65 mm  
**Product - Depth:** 255 mm  
**Product - Height:** 487 mm  
**Total building height:** 487 mm

# Tapwell

Drawing - PDF





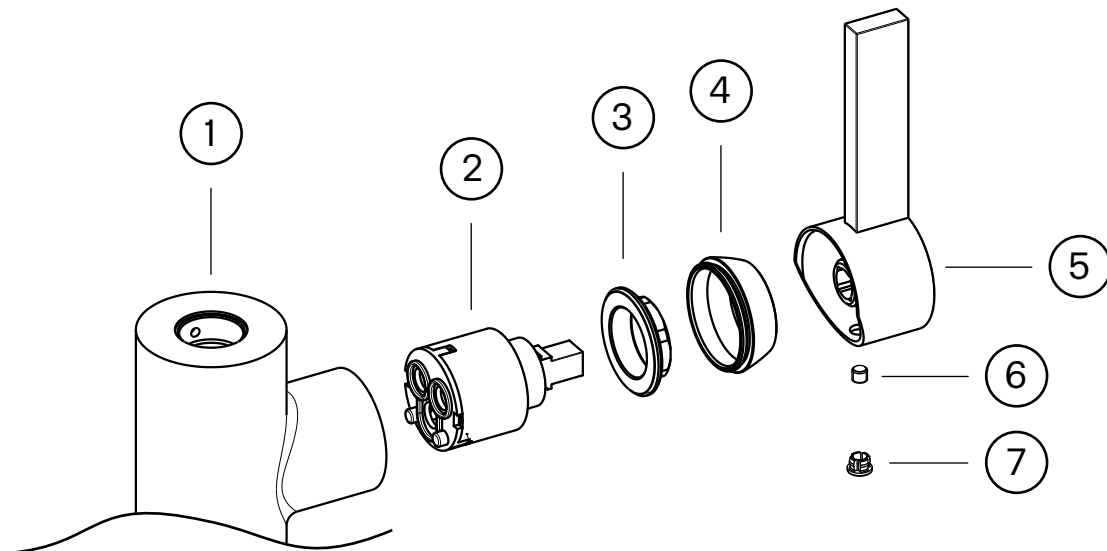
# Tapwell

## Replace ceramic insert

The ceramic disc needs to be replaced if the outlet spout or the water flow and temperature adjuster lever drip.

### Article description:

1. Faucet body
2. Ceramic cartridge
3. Locking nut for the ceramic cartridge
4. Cover cap
5. Lever handle
6. Locking screw for the lever handle
7. Cover plug



### Working order:

**NOTE - the water to the main line must be turned off!**

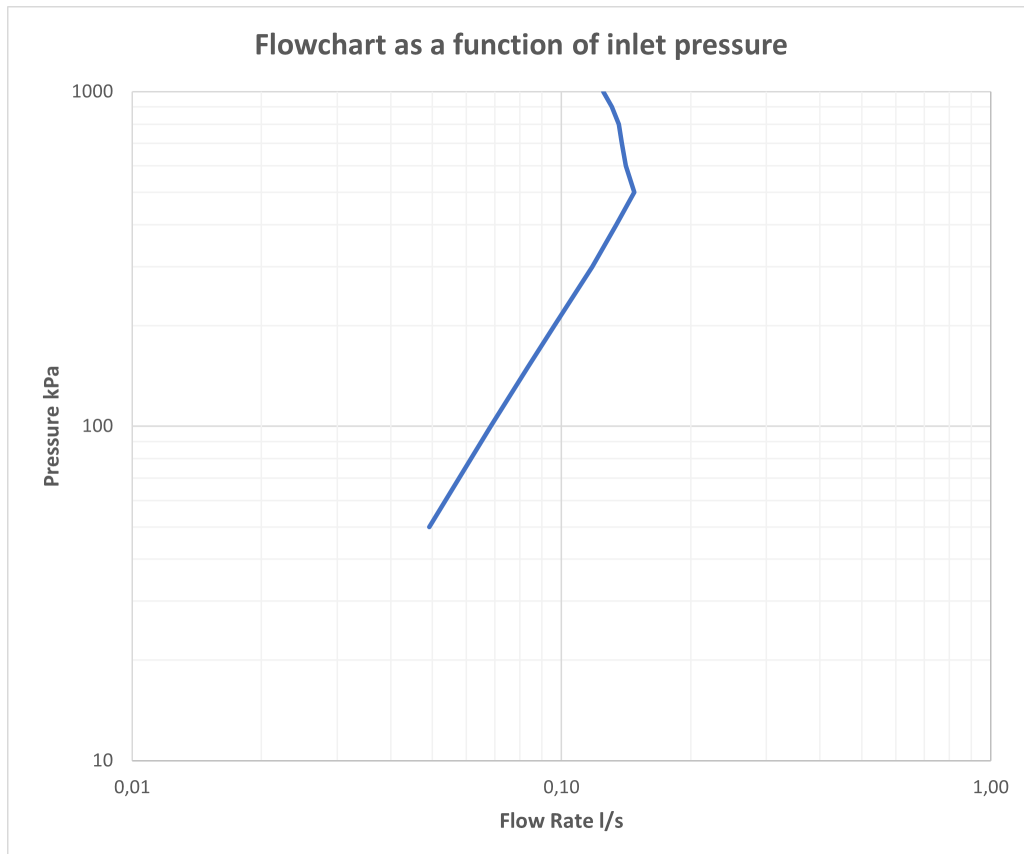
1. The water to the mixer (1) is turned off and the mixer opened to drain off the water.
2. Pry off the cover plug.
3. The locking screw (6) that holds the lever handle (5) is loosened about 1 turn using an Allen key (2,5 mm alt. 3 mm) and the lever handle is removed by hand.
4. The cover cap (4) is unscrewed by hand.
5. The locking nut (3) for the ceramic cartridge (2) is unscrewed with a fixed wrench.
6. The ceramic cartridge (5) is pulled out by hand and the cartridge seating in the mixer housing is then carefully cleaned of any particles and limescale. Rinse the mixer.
7. Put the new cartridge in place. During assembly, the cartridge must be turned to the position where the guide pins in the bottom are secured in the corresponding outlets in the bottom of the mixer housing.
8. Reassemble in the reverse order.

# Tapwell

## Flowcart

### FLOWCHART

ARM185



### DATA

Pressure (kPa)	Flow lit/min	Flow lit/s
50	3,0	0,05
100	4,1	0,07
150	5,0	0,08
200	5,8	0,10
300	7,1	0,12
400	8,1	0,13
500	8,9	0,15
600	8,5	0,14
700	8,3	0,14
800	8,2	0,14
900	7,9	0,13
1000	7,5	0,13