

Tapwell

ARM071 Washbasin mixer

ARM071 Chrome

Article Number

ARM071 Chrome - 9423490
ARM071 Matte Black - 9423549
ARM071 Polished Brass - 9423543
ARM071 Copper - 9423544
ARM071 Bronze - 9424408
ARM071 Black Chrome - 9423547
ARM071 Honey Gold - 9423545
ARM071 Brushed Black Chrome - 9424409
ARM071 Brushed Nickel - 9423548

Wash basin mixer. To be combined with [pop-up waste 74400](#) →.

Our wash basin taps combines advanced technology, exquisite design, and top-notch performance to offer you the ultimate bathroom upgrade. With its sleek and modern appearance, it effortlessly enhances the visual appeal of your wash basin, becoming a focal point that exudes elegance and sophistication in a range of different finishes.



Tapwell

Cleaning

Wipe the surface with a soft cloth and lukewarm water and possibly with soap solution. Avoid alkaline, acid-liming or abrasive cleaners.

Brass is a material that over time gets a beautiful patina but can be polished with brass polish. Copper also gets patina but should not be polished. The other shiny surfaces retain their luster.

Decalcification

Aerators and shower handles should be regularly decalcified by placing them in a vinegar bath for a couple of hours. Should limescale stains occur, use eucalyptus oil and a soft cloth.

Lubrication

Lubricate only with silicone grease.

Maintenance

Visit our [YouTube channel](#) → where there are instructional videos for changing the ceramic cartridge, changing aerators and more.

Specifications

Connection inlet: Flexible hose with 3/8" nut

Number of grips: One grip

Number of outgoing connections: 1

Dimension inlet: 10 mm alt. 3/8"

Length protrusion outlet head: 104 mm

Classification energy: B

Dimensions/Weight

Package - Depth: 420 mm

Package - Width: 180 mm

Package - Height: 70 mm

Package - Weight: 1,85 kg

Package - Volume: 0,01 m³

Building height underneath outlet: 92 mm

Product - Width: 45 mm

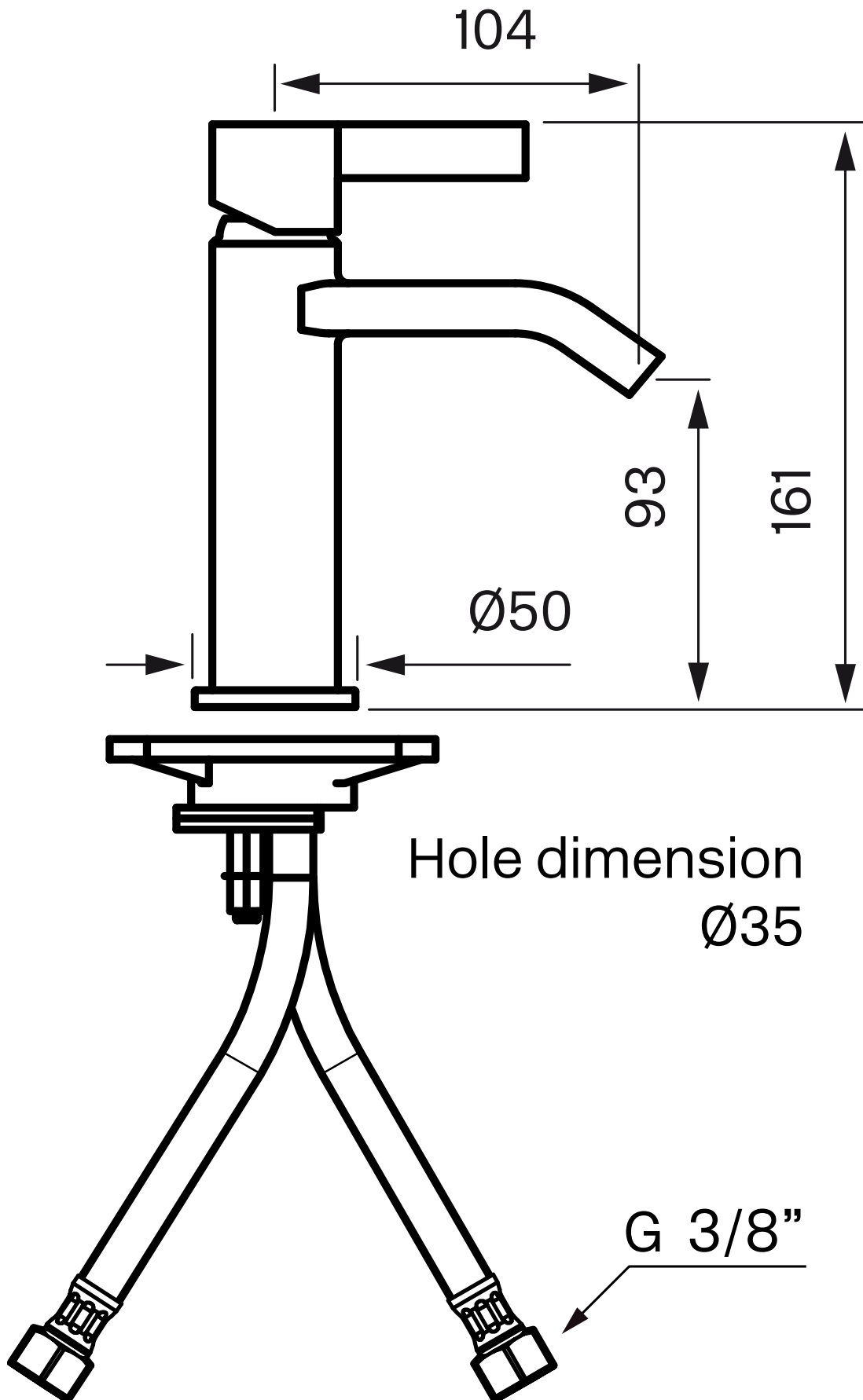
Product - Depth: 126 mm

Product - Height: 163 mm

Total building height: 163 mm

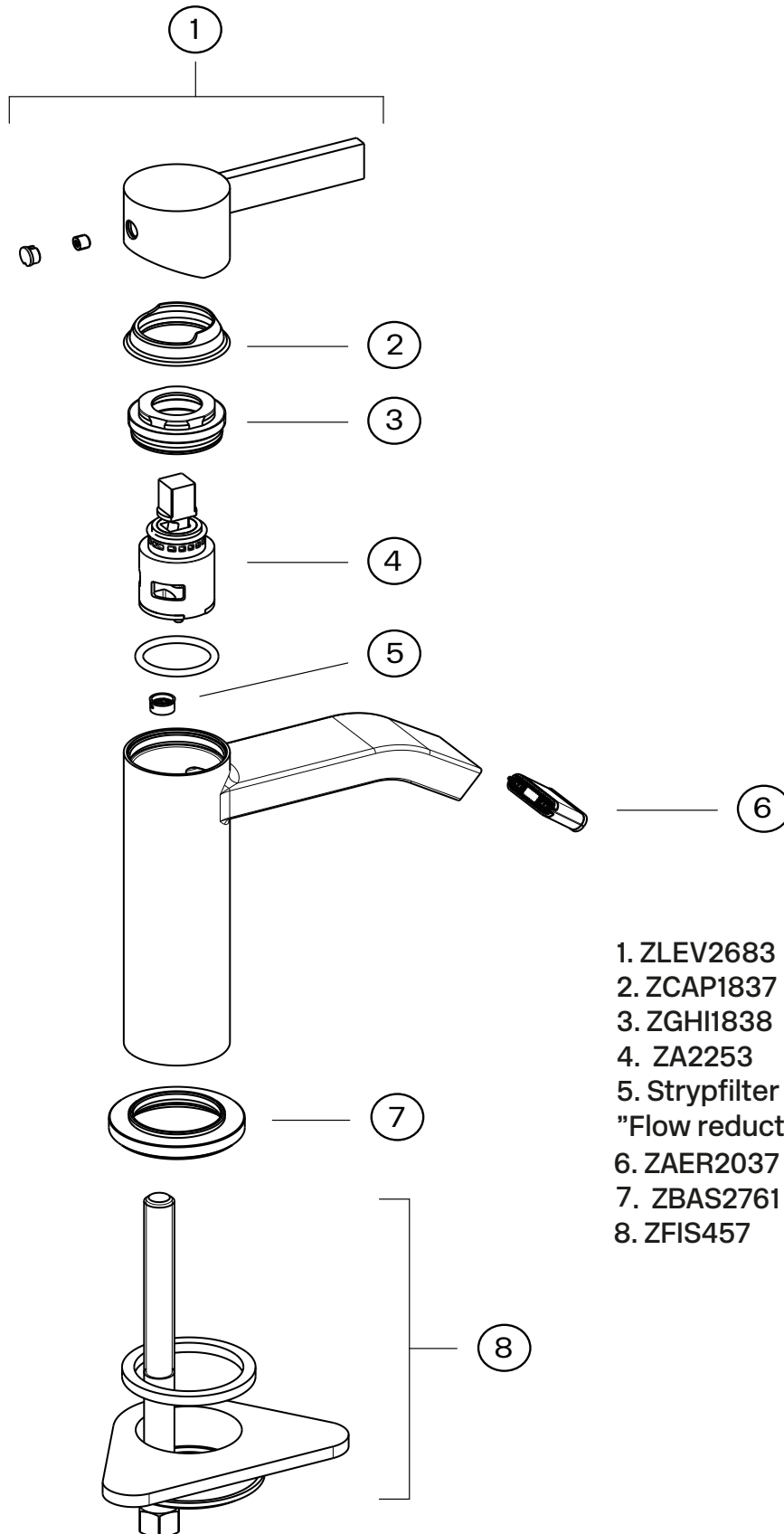
Tapwell

Drawing - PDF



Tapwell

Exploded View



- 1. ZLEV2683
- 2. ZCAP1837
- 3. ZGHI1838
- 4. ZA2253
- 5. Stryfilter Liten 4L
"Flow reduction filter Small 4L"
- 6. ZAER2037
- 7. ZBAS2761
- 8. ZFIS457

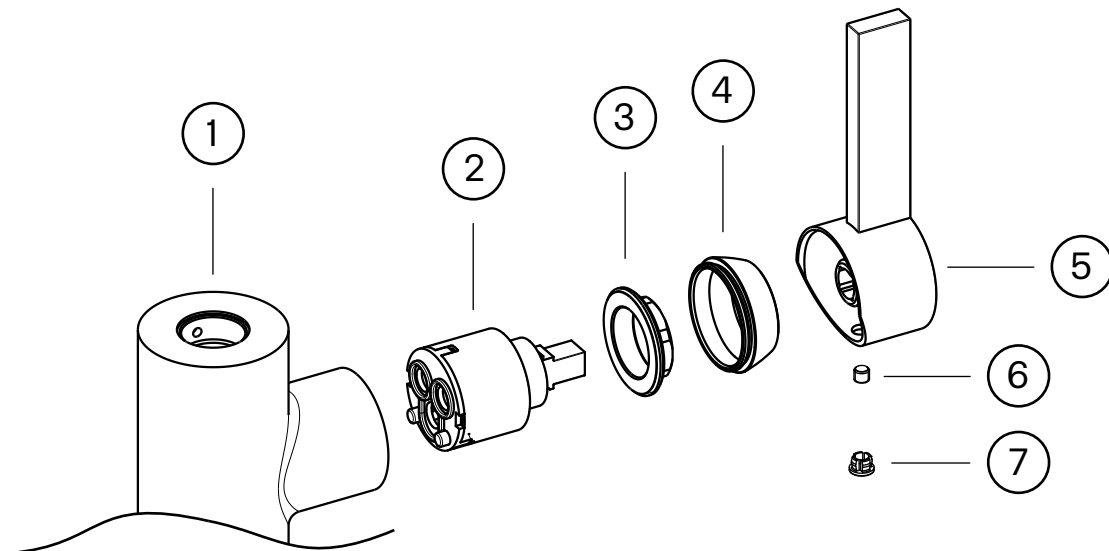
Tapwell

Replace ceramic insert

The ceramic disc needs to be replaced if the outlet spout or the water flow and temperature adjuster lever drip.

Article description:

1. Faucet body
2. Ceramic cartridge
3. Locking nut for the ceramic cartridge
4. Cover cap
5. Lever handle
6. Locking screw for the lever handle
7. Cover plug



Working order:

NOTE - the water to the main line must be turned off!

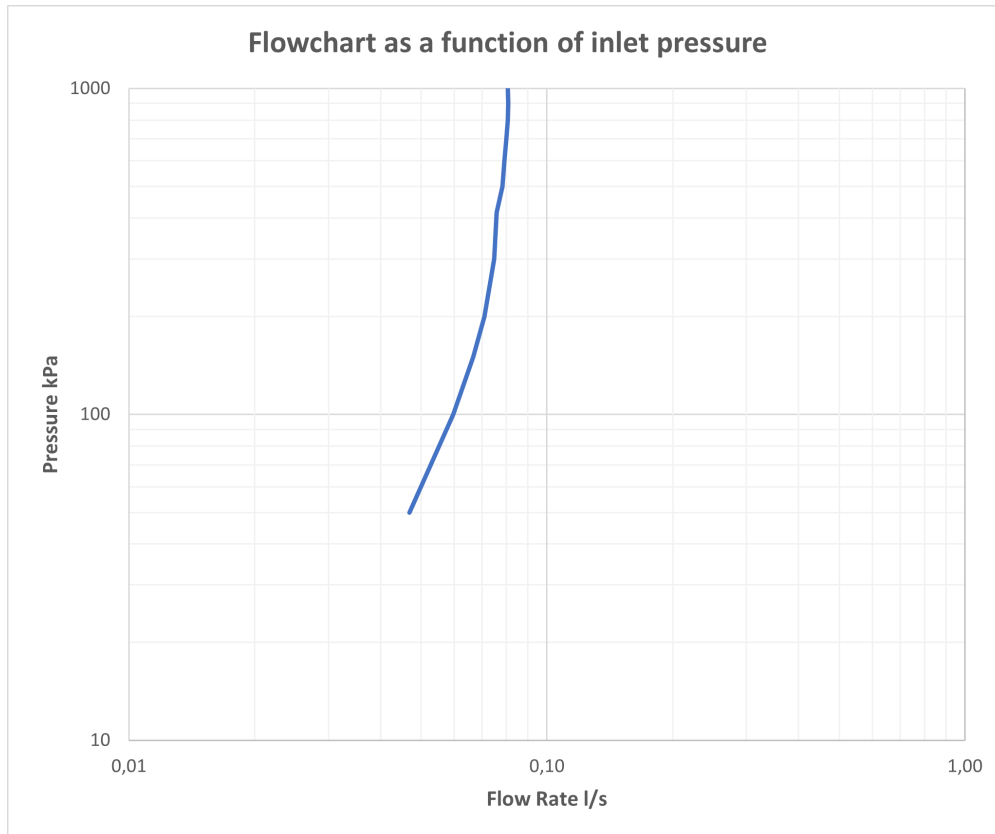
1. The water to the mixer (1) is turned off and the mixer opened to drain off the water.
2. Pry off the cover plug.
3. The locking screw (6) that holds the lever handle (5) is loosened about 1 turn using an Allen key (2,5 mm alt. 3 mm) and the lever handle is removed by hand.
4. The cover cap (4) is unscrewed by hand.
5. The locking nut (3) for the ceramic cartridge (2) is unscrewed with a fixed wrench.
6. The ceramic cartridge (5) is pulled out by hand and the cartridge seating in the mixer housing is then carefully cleaned of any particles and limescale. Rinse the mixer.
7. Put the new cartridge in place. During assembly, the cartridge must be turned to the position where the guide pins in the bottom are secured in the corresponding outlets in the bottom of the mixer housing.
8. Reassemble in the reverse order.

Tapwell

Flowcart

FLOWCHART

ARM071



DATA

Pressure (kPa)	Flow lit/min	Flow lit/s
50	2,8	0,05
100	3,6	0,06
150	4,0	0,07
200	4,3	0,07
300	4,5	0,07
400	4,6	0,08
500	4,7	0,08
600	4,8	0,08
700	4,8	0,08
800	4,8	0,08
900	4,9	0,08
1000	4,8	0,08