

Tapwell

TA126 Accessory

TA126 Chrome

Article Number

TA126 Chrome - 9418875
TA126 Matte Black - 9420580
TA126 Polished Brass - 9418854
TA126 Copper - 9420080
TA126 Bronze - 9426176
TA126 Black Chrome - 9419171
TA126 Honey Gold - 9419170
TA126 Brushed Black Chrome - 9420797
TA126 Brushed Nickel - 9421171
TA126 Ascot Grey - 9422830

Soap dish.



Tapwell

Cleaning

Wipe the surface with a soft cloth and lukewarm water and possibly with soap solution. Avoid alkaline, acid-liming or abrasive cleaners.

Brass is a material that over time gets a beautiful patina but can be polished with brass polish. Copper also gets patina but should not be polished. The other shiny surfaces retain their luster.

Decalcification

Aerators and shower handles should be regularly decalcified by placing them in a vinegar bath for a couple of hours. Should limescale stains occur, use eucalyptus oil and a soft cloth.

Lubrication

Lubricate only with silicone grease.

Maintenance

Visit our [YouTube channel](#) → where there are instructional videos for changing the ceramic cartridge, changing aerators and more.

Dimensions/Weight

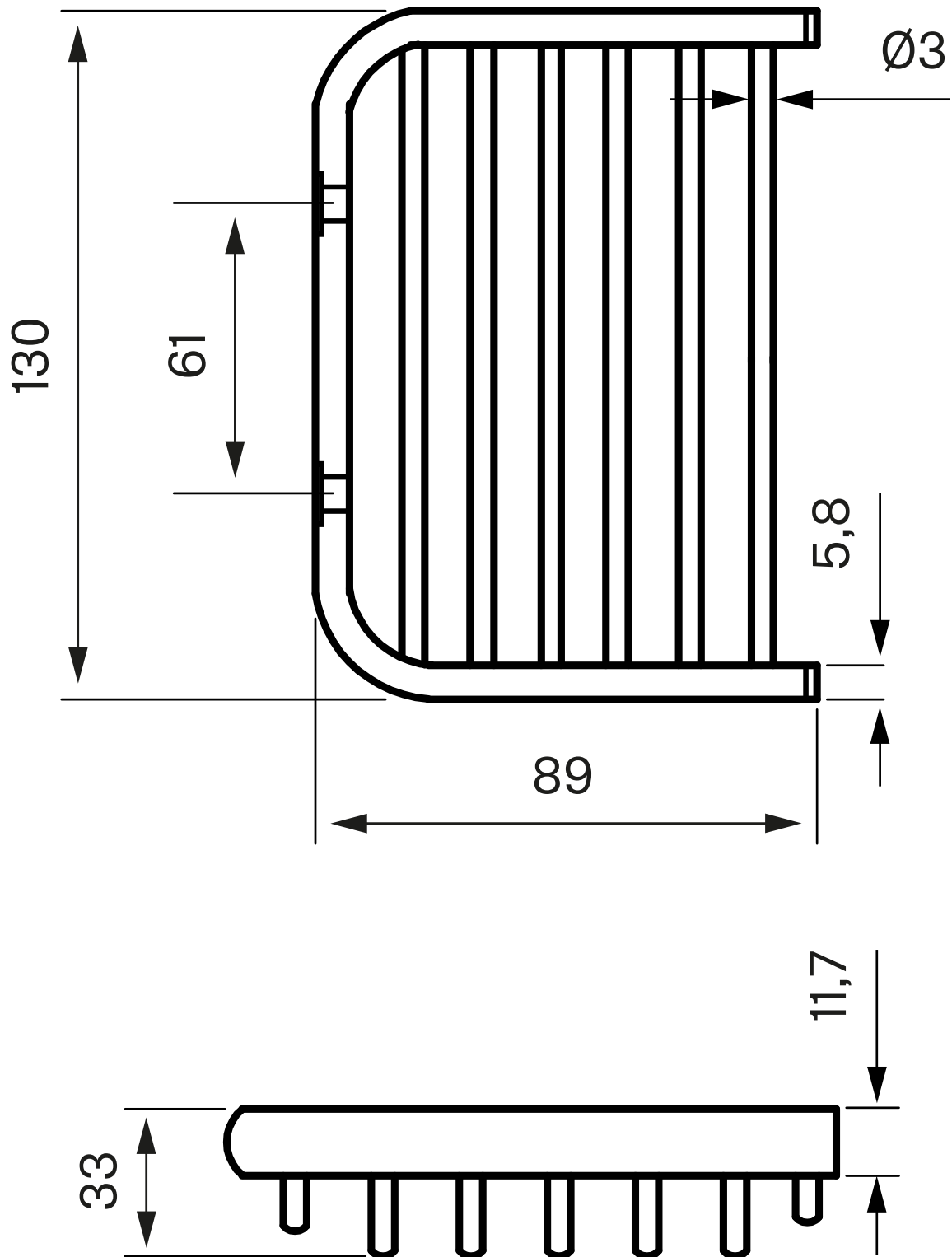
Product - Width: 130 mm

Product - Depth: 89 mm

Product - Height: 33 mm

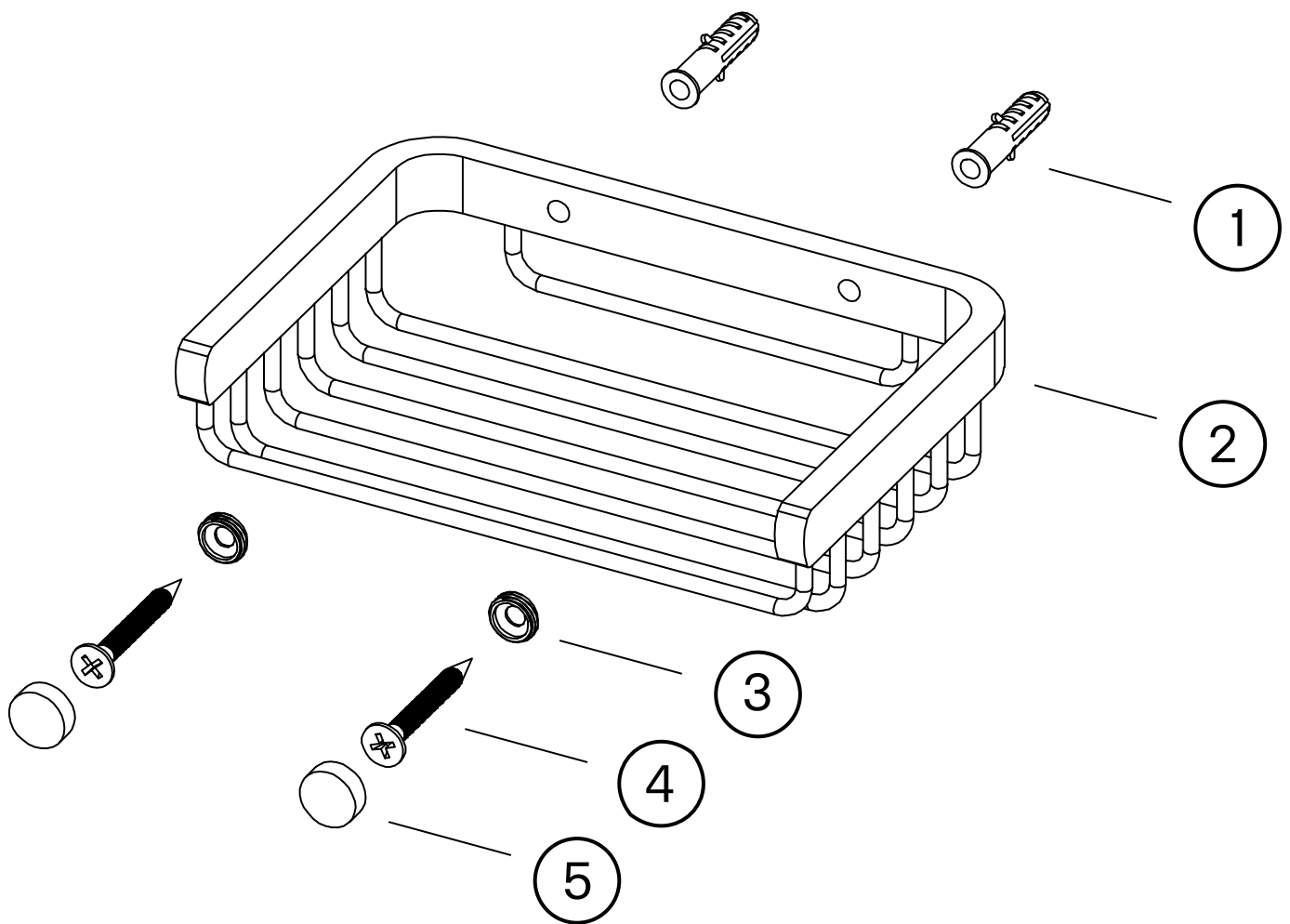
Tapwell

Drawing - PDF



Tapwell

Exploded View



1. Screw Plug $\text{\O}6 \times 30 \text{ mm}$
2. Soap dish $130 \times 89 \times 33 \text{ mm}$
3. Screw attachment $\text{M10} \times 1 \times 2,5 \text{ mm}$
4. Screw $\text{M4} \times 35 \text{ mm}$
5. Screw cover $\text{\O}11,5 \times 5 \text{ mm}$