

# Tapwell

## TA236 Accessory

---

TA236 Chrome

---

### Article Number

TA236 Chrome - 9419179  
TA236 Matte Black - 9420583  
TA236 Polished Brass - 9418678  
TA236 Copper - 9420088  
TA236 Bronze - 9426174  
TA236 Black Chrome - 9419184  
TA236 Honey Gold - 9419183  
TA236 Brushed Black Chrome - 9422827  
TA236 Brushed Nickel - 9421169  
TA236 Ascot Grey - 9422828

---

Toilet paper holder with lid.



# Tapwell

---

## Cleaning

Wipe the surface with a soft cloth and lukewarm water and possibly with soap solution. Avoid alkaline, acid-liming or abrasive cleaners.

Brass is a material that over time gets a beautiful patina but can be polished with brass polish. Copper also gets patina but should not be polished. The other shiny surfaces retain their luster.

## Decalcification

Aerators and shower handles should be regularly decalcified by placing them in a vinegar bath for a couple of hours. Should limescale stains occur, use eucalyptus oil and a soft cloth.

## Lubrication

Lubricate only with silicone grease.

## Maintenance

Visit our [YouTube channel](#) → where there are instructional videos for changing the ceramic cartridge, changing aerators and more.

---

## Dimensions/Weight

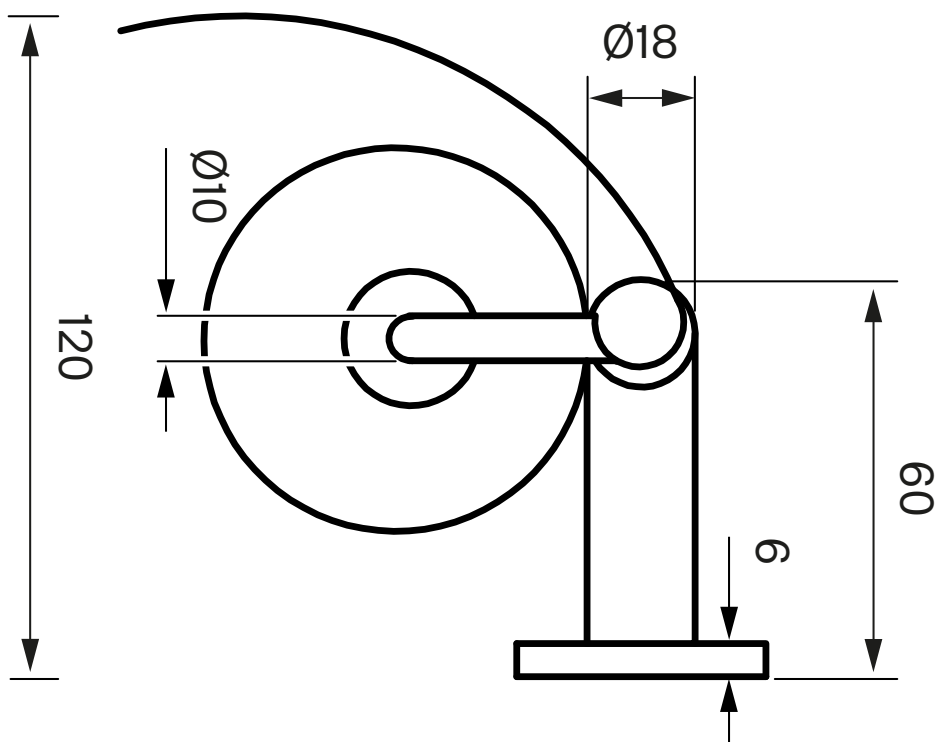
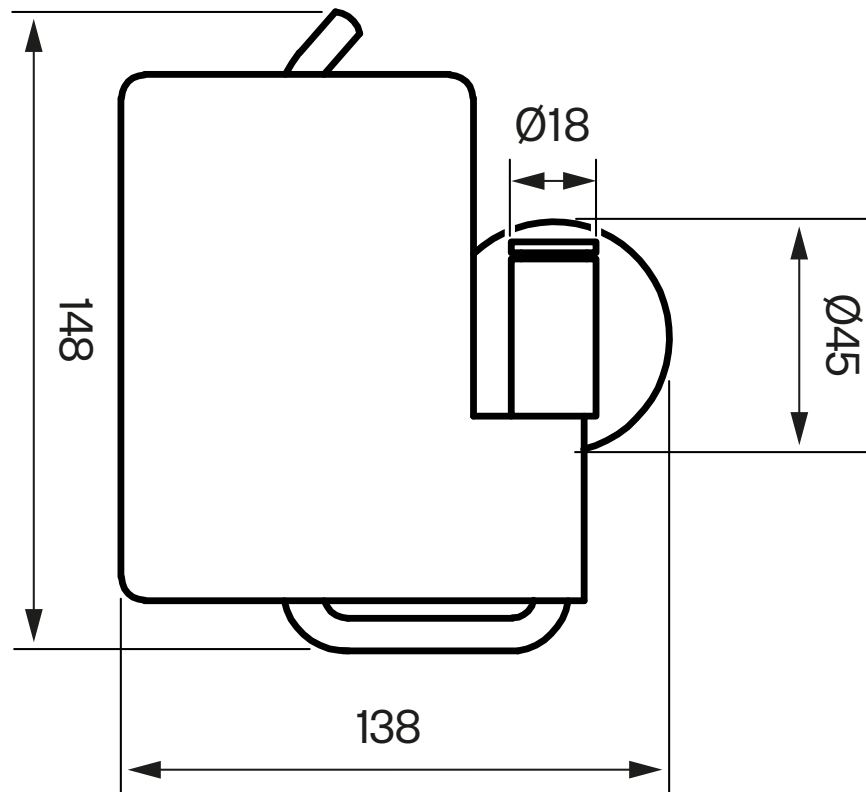
**Product - Width:** 148 mm

**Product - Depth:** 120 mm

**Product - Height:** 138 mm

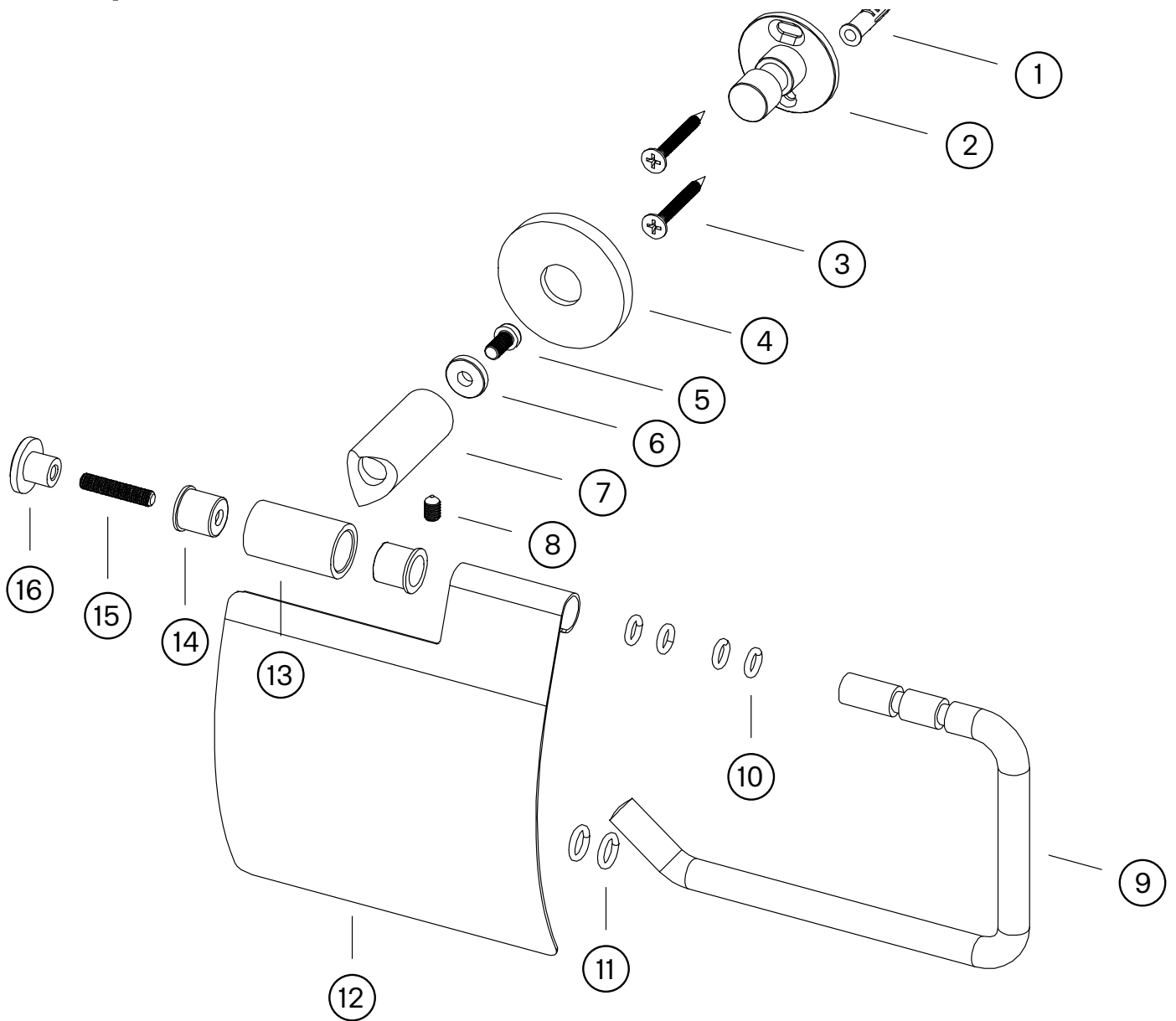
# Tapwell

Drawing - PDF



# Tapwell

## Exploded View



1. Screw plug Ø6 x 30 mm
2. Wall mount Ø34,6 x 29,5 mm
3. Screw M4 x 35 mm
4. Plate Ø45 x 6 mm
5. Screw M4 x 10 mm
6. Seal plate
7. Cylinder Ø18 x 46,8 mm
8. Allan screw M5 x 8 mm
9. Holder
10. Gasket Ø10 x Ø6 x 2 mm
11. Gasket Ø12 x Ø8 x 2 mm
12. Lid
13. Cylinder Ø18 x 31,3 mm
14. Insert Ø14,7 x 12,7 x 1 mm
15. Allan screw M5 x 25 mm
16. Cover cap Ø18 x 11,2 mm